

SNP-G12T-A SPECIFICATION

SPECIFICATION

For

SWITCHING POWER SUPPLY

M/N : SNP-G12T-A

STANDARD PRODUCT

All Rights Reserved

Reviewed by Product Engineer	Jm 10-18-1P					
Typed by Document Assistant	蕭瑞英 101519					
SKYNET ELECTRONIC		LAST REV. NO.				

1.0 INTRODUCTIONS

SNP-G12T-A is an open frame, general purpose and rated 120W SMPS. It also features in ITE safety and noaudible noise green power.

2.0 INPUT SPECIFICATIONS

2.1 Input Voltage

Input voltage range : 90Vac to 264Vac

Nominal line voltage : 115Vac/230Vac

2.2 Input frequency

47Hz to 63Hz

2.3 Input current

$2A_{\text{rms}}$ max/115Vac, $1A_{\text{rms}}$ max/230Vac

2.4 Inrush current

30A max/115Vac, 60A max/230Vac (EMI capacitors excluded, cold start at 25°C)

2.5 Test Condition

All specs except international standards or specs with special notes are defined and tested at nominal line input, rated load and 25°C.

3.0 OUTPUT SPECIFICATIONS

3.1 Load range

Vo	min. load	rated load	max. load	peak load
+48V	0A	2.5A	3.1A	4.2A

3.1.1 Factory adjustment

+47.8V to +48.2V (60% rated load, 115Vac)

3.1.2 Peak load max duration

2sec. (duty cycle < 10%, average power < 100W)

3.2 Ripple and noise

< 1% (20MHz bandwidth limited, 1X probe with 0.47uF parallel capacitor)

3.3 Line regulation

< ±0.5% (90Vac to 264Vac, comparing with 115Vac)

3.4 Load regulation

< ±1% (20% to 100% rated load, comparing with 60% rated load)

3.5 Capacitive load start-up capability

< 1000uF (90Vac, rated load)

4.0 GENERAL FEATURES

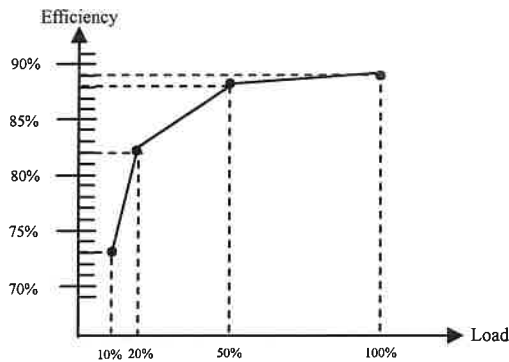
4.1 Efficiency

>87 typ. (Average from 20%, 50%, and 100% efficiency)

4.2 Step efficiency

- 73% at 10% rated load
- 82% at 20% rated load
- 88% at 50% rated load
- 89% at 100% rated load

4.3 Efficiency curve



4.4 Hold up time

>20 ms

4.5 No load input power

<4.5W (without FAN connection)

4.6 Protection

4.4.1 Over-voltage protection

Trip point : +55V to +59V (60% rated load)

Protection mode : Latch-off

4.4.2 Output short or overload protection

Protection mode : Auto-recovery

5.0 ENVIRONMENT SPECIFICATIONS

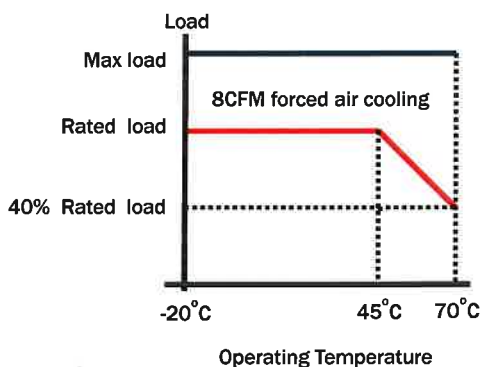
5.1 Operating temperature

-20°C to 70°C

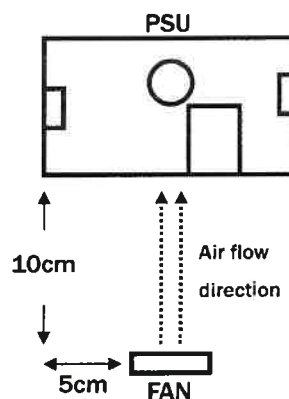
Output load derates linearly to 40% from 45°C to 70°C

Rated load with convection cooling; max load with 8 CFM forced air cooling

Output derating curve



Max Load Fan location



5.2 Storage temperature

-40°C to 85°C

5.3 Operating humidity

5% to 95% RH, non-condensing

5.4 Altitude

0 to 5000m

5.5 MTBF

> 160Khrs (based on MIL-HDBK-217F, rated load, 45 °C)

6.0 INTERNATIONAL STANDARDS**6.1 Safety standards**

Designed to meet the following regulations :

Label voltage : 100Vac to 240Vac

UL/CSA/EN/IEC 60950-1

UL/CSA/EN/IEC 62368-1

6.2 EMI standards

FCC docket 20780 curve "B"

CISPR 22 "B"

EN 61000-3-2 class "D"

EN 61000-3-3

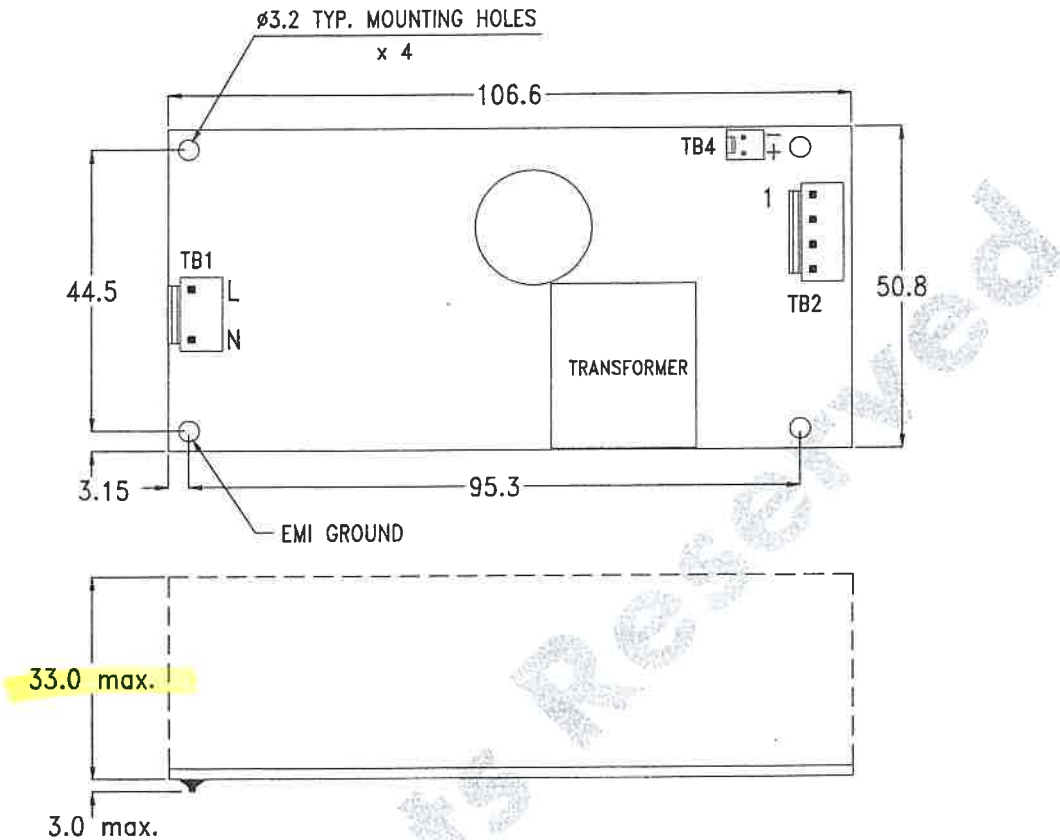
6.3 EMS standards

EN61000-4-2	8kV/contact discharge, 15kV/air discharge	Criterion A
EN61000-4-3	10V/M with 80% AM	Criterion A
EN61000-4-4	2kV (100KHz)	Criterion A
EN61000-4-5	1kV/Line-Line, 2kV/Line-Earth	Criterion A
EN61000-4-6	10V with 80% AM	Criterion A
EN61000-4-8	30A/m	Criterion A
EN61000-4-11	30% dips 500ms,	Criterion A
	60% dips 200ms,	Criterion B
	100% dips 10ms,	Criterion A
	100% dips 5000ms,	Criterion B
	100% dips 20ms,	Criterion B

7.0 MECHANICAL SPECIFICATION

7.1 Dimensions

Dimensions shown in mm as below. Tolerance specified is +/-0.4mm.



7.2 Connectors

- TB1--AC Input : using JST B2P3-VH or equivalent
(Mates with : JST VHR-3N or equivalent)
- TB2--DC Output : using JST B4P-VH or equivalent
(Mates with : JST VHR-4N or equivalent)
- TB4--For +12V fan use only : using Molex 5045-02A or equivalent
(Mates with : Molex 5051-02 or equivalent)

7.3 DC Output pin assignment

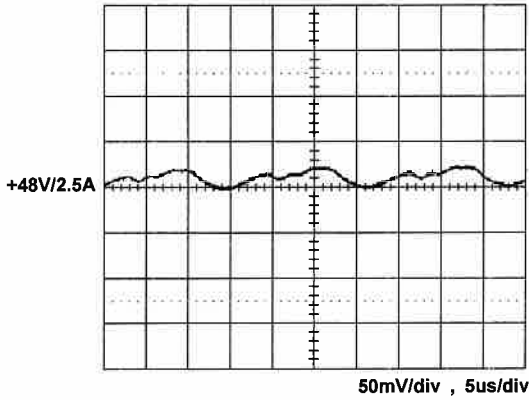
- | | | |
|----------|----|-------|
| Position | 1. | GND |
| | 2. | GND |
| | 3. | + 48V |
| | 4. | + 48V |

7.4 Packing

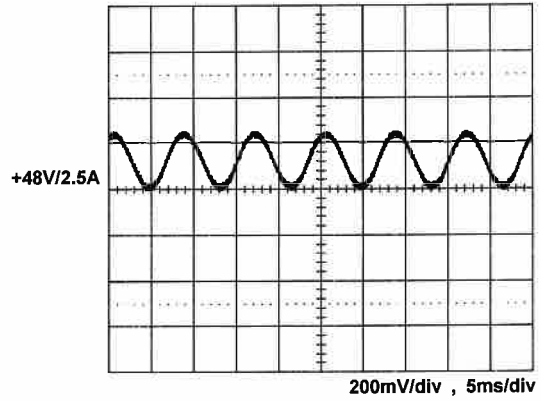
- Net weight : 160g approx. / unit
- Carton size(mm) : 446 (L) x 412 (W) x 287(H)
- Quantity : 80 units / carton
- Gross weight : 16.0 kg approx. / carton

8.0 PERFORMANCE (input voltage is 115VAC, unless others specified)

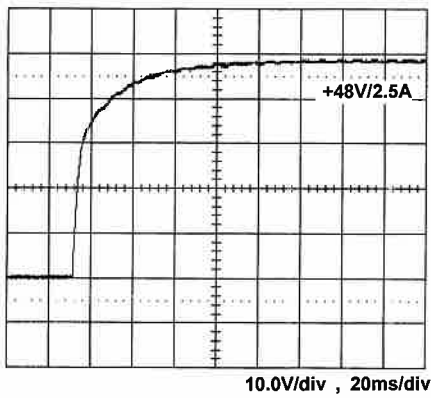
8.1 Switching frequency ripple



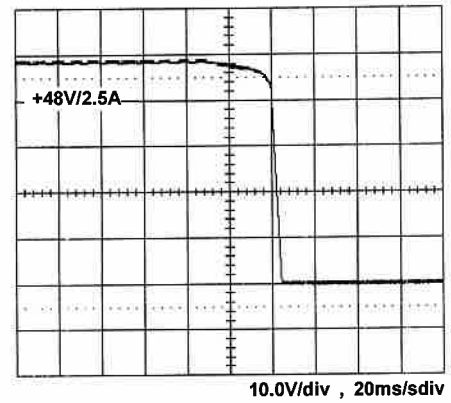
8.2 Line frequency ripple



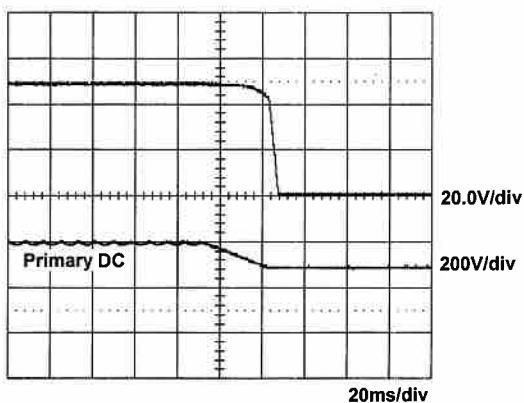
8.3 Output turn on wave form



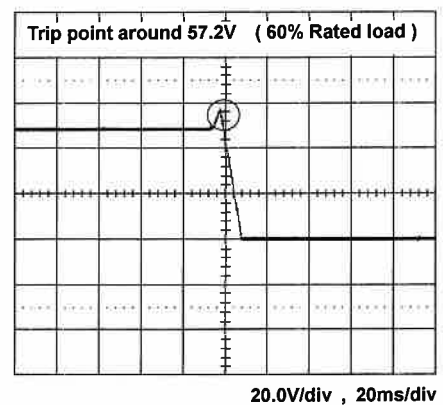
8.4 Output turn off wave form



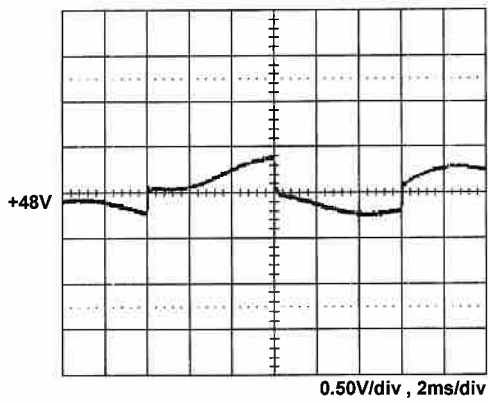
8.5 Hold-up time



8.6 Over voltage protection

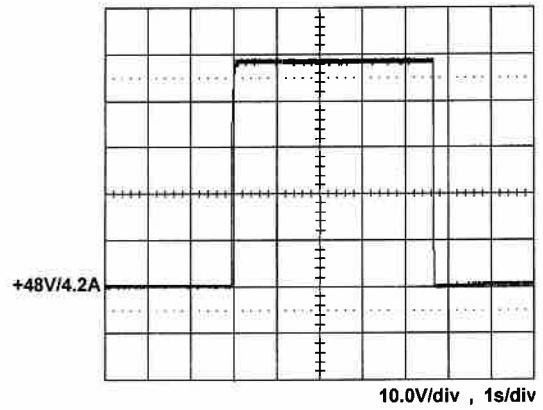


8.7 +48V step response

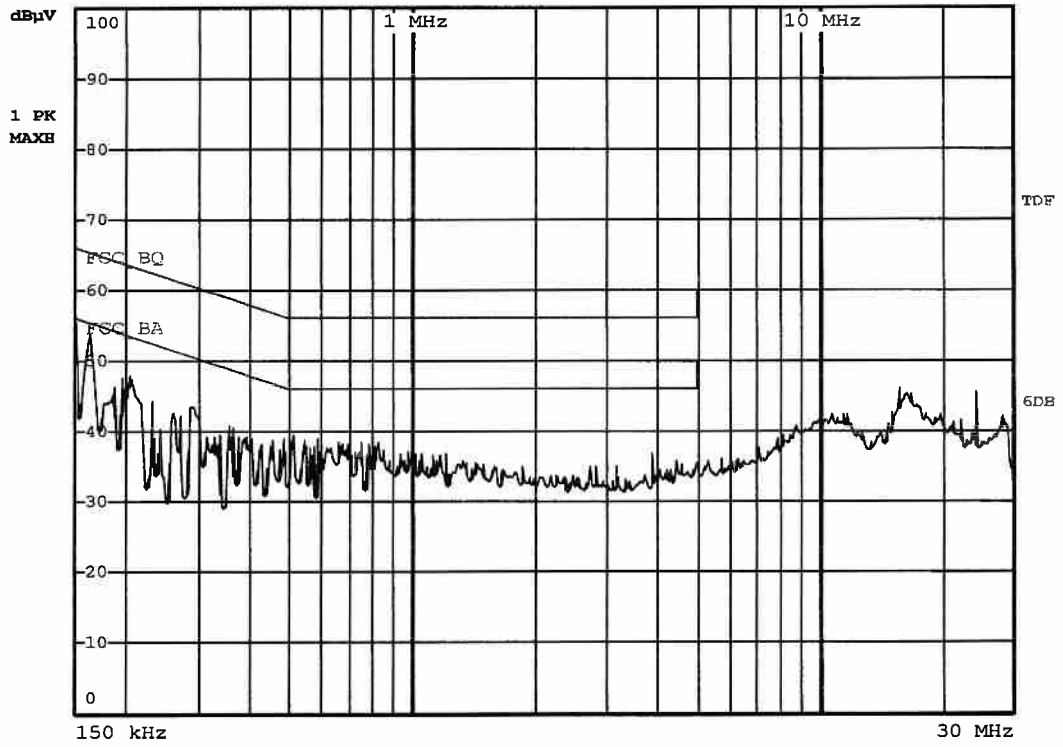


+48V step from 0.5A to 2.5A

8.8 peak load



8.9 FCC "B" QP performance



8.10 CISPR 22 "B" QP performance

